

# Product Information Loggia Awnings

Variable sunscreen for shop windows or loggia balconies  
Particularly suitable as shading and as advertising medium

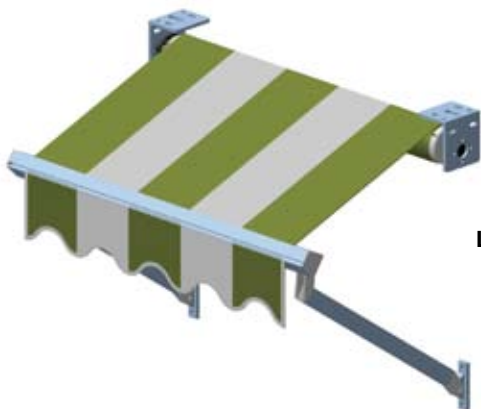
Up-to-date colours and large variety of designs

Convenient operation via crank handle or motor drive

Easy installation

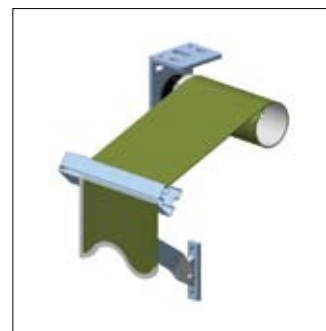


## Model



**LM** - Loggia awning with extension arm

## Installation options



Mounting bracket mounted towards the top; fixing of the extension arm from the front

## Installation details

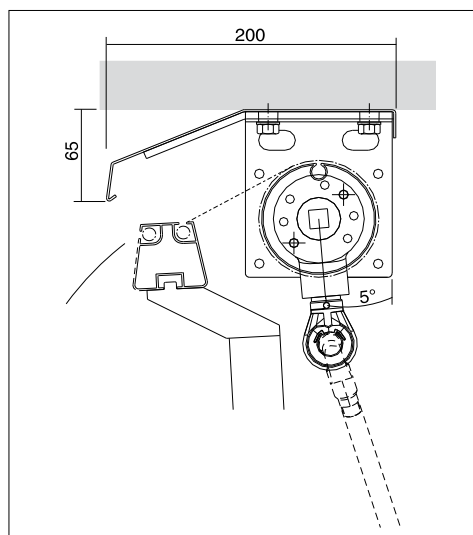


Fig. Vertical installation

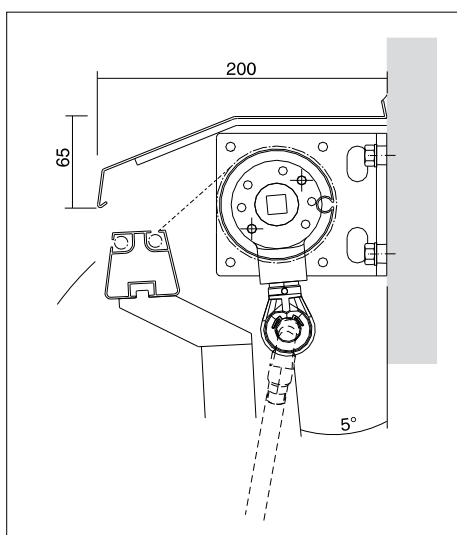
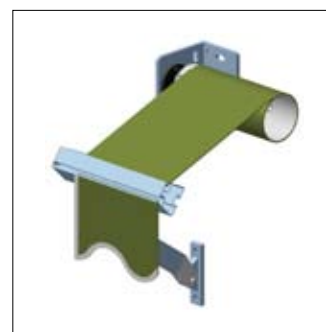
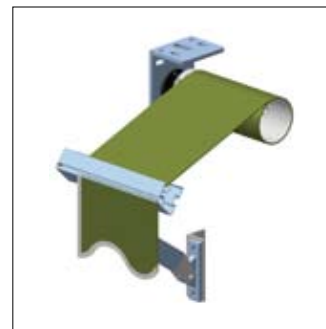


Fig. Horizontal installation



Mounting bracket mounted towards the back; fixing of the extension arm from the front



Mounting bracket mounted towards the top; lateral fixing of the extension arm

## Limit sizes

Model	Min. width (mm)	Max. width (mm)	Extension (mm)	Extension (mm)
Crank handle drive	400	6000	1250	1500
Standard motor drive	600	6000	1250	1500
Radio-controlled drive	880	6000	1250	1500
Linked (max. 2 units)		10000	1250	1500

\*) **ATTENTION:** Min. width with RTS-motor = 800 mm !

Qualified company:

**Head Office:**  
**HELLA Sonnen- und Wetterschutztechnik GmbH**  
 A-9913 Abfaltersbach 125  
 T. +43 (0)4846 / 65 55-0  
 F. +43 (0)4846 / 65 55-134  
 E: office@hella.info

[www.hella.info](http://www.hella.info)